



RAM PUMPS

Meeting The Toughest Challenges



375/500 SERIES

Triplex Plunger Pump

Design, Development and Manufacture of Reciprocating Process Pumps
to Recognised International Industry Standards

Features / Benefits

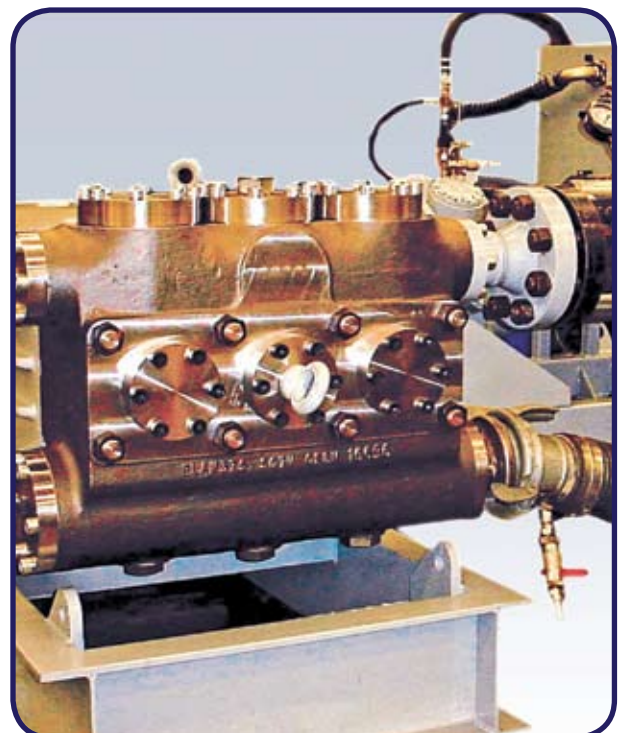
RAM Triplex Plunger Pumps are designed and manufactured to the highest degree of precision to ensure total reliability and durability is maintained throughout our product range.

RAM Pumps conforms to all the latest quality standards and directives including ISO 9001/2008, ATEX, EC P.E.D., Norsok, Gost, Stoomwezen. These standards are necessary when supplying this type of product for the most arduous and demanding of applications.

- Crankcase design with special built-in motor support mounting.
Providing the option of installing the motor overhead to keep both the footprint and weight to a minimum.
- A range of liquid end materials are available.
Providing complete compatibility with pumping media.
- Special pressure-formed, braided, PTFE impregnated Kevlar® packings.
Offering exceptionally long life and a wide range of liquid compatibility.
- Packings housed in packing cylinder.
Assuring proper alignment and optimum life.
- Plungers are specially surface treated for abrasion resistance. Solid ceramic plungers are also available.
Providing the highest quality sealing surface for extended packing life.

375/500 SERIES

Triplex Plunger Pump



Specification

HCH

- Spheroidal graphite iron crankcase.
Offering exceptional strength, vibration dampening and flame and spark resistance for added protection in hazardous areas.
- Various plunger diameters available.
Allowing for a wide range of performances to best suit the application.
- Standard splash crankcase lubrication with optional pressure lubrication system.
- Modular design.
- Bespoke builds available to suit individual clients specification.

STANDARD

Flow (l/min)	1454
Max System Press (barg)	280
Max RPM	360

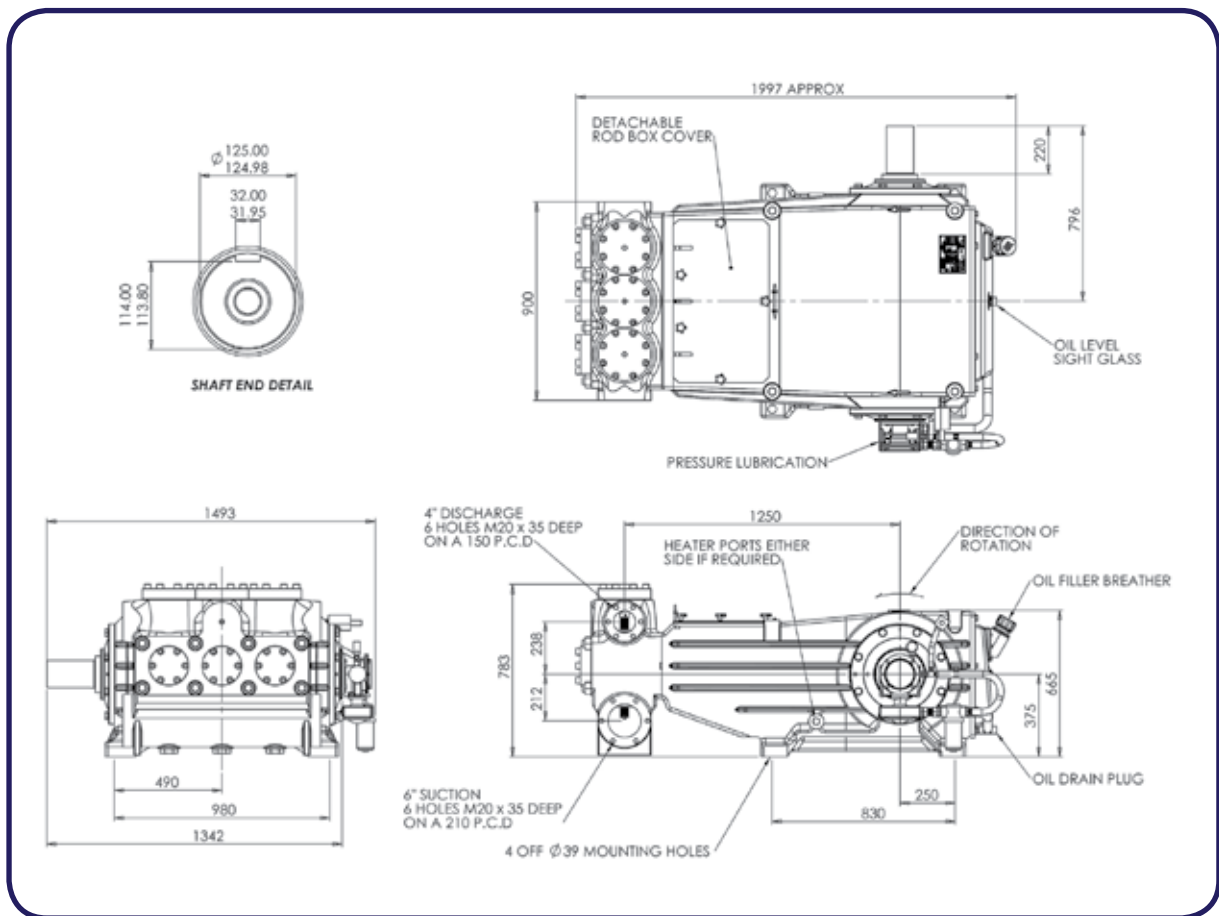
API

Flow (l/min)	967
Max System Press (barg)	280
Max RPM	240

COMMON SPECIFICATION

Max Inlet Pressure (barg)	30
Minimum RPM	100
Max kW	450
Stroke (mm)	180
Max Temp (°C)	150*
Min Temp (°C)	-6*
Inlet Ports (2)	6"
Discharged Ports (2)	4"
Weight (kg)	3600
Crankcase Oil Capacity (litres)	140

* Based upon standard materials. Alternative metallurgy/elastomer combinations are available in order to meet your specific needs for lower sub zero operation to increased positive temperatures.



RAM PUMPS
Meeting The Toughest Challenges



With over 40 years of experience in the field, Ram Pump's product range covers almost any application. Given that there is almost an infinite variation of build options, we pride ourselves in our expertise to construct special purpose equipment for our client's individual needs.

Oil and Gas

- Glycol Injection or Regeneration
- Methanol Injection
- Hydrocarbon Condensate
- Hydro Test
- Water Production
- Drill Cutting Re-injection
- Miscible Gas Injection
- Fracking
- Liquid Condensate Injection

Reverse Osmosis

- De-salination
- Food Processing
- Pharmaceuticals

Industrial

- Water Jetting
- De-scaling
- Boiler Feed

Ram Pumps Limited
Unit C, Decoy Road, Dominion Way,
Worthing, West Sussex, BN14 8ND
Tel: +44 (0) 1903 206 622
Fax: +44 (0) 1903 205 511
www.rampumps.co.uk
sales@rampumps.co.uk

Your Authorised Representative:



RAM PUMPS
Meeting The Toughest Challenges